



shredding + briquetting



BRIQUETTING PRESSES

HIGH DENSITY SERIES

HD 500 | HD 700K | HD 1500



www.weima.com

WASTE IN. RESOURCES OUT.

THE HIGH DENSITY SERIES HD 500, HD 700K, HD 1500
COMPACTS PROBLEMATIC MATERIAL SUCH AS MDF DUST,
WOOD CHIPS AND METAL CUTTINGS.

HYDRAULICS WITH SEPARATED OIL TANK

→ Temperature controlled hydraulic system
// Valve control // Pump designed for long
operating time



HOPPER

→ With agitator and screw auger



SPS CONTROL

→ Manual control for unblocking
// International standard parts



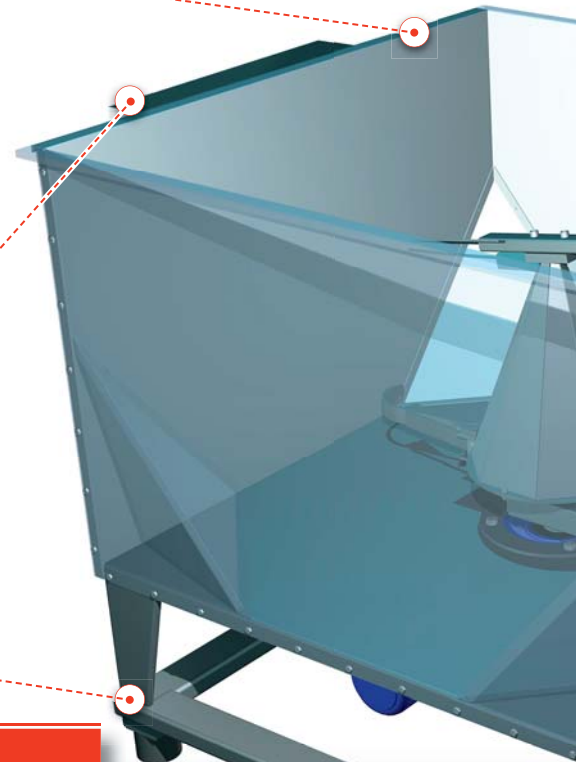
STURDY BASE FRAME

→ Extremely low weight // Solid frame
// Rubber feet



SWINGARM

→ For high-compressed briquettes



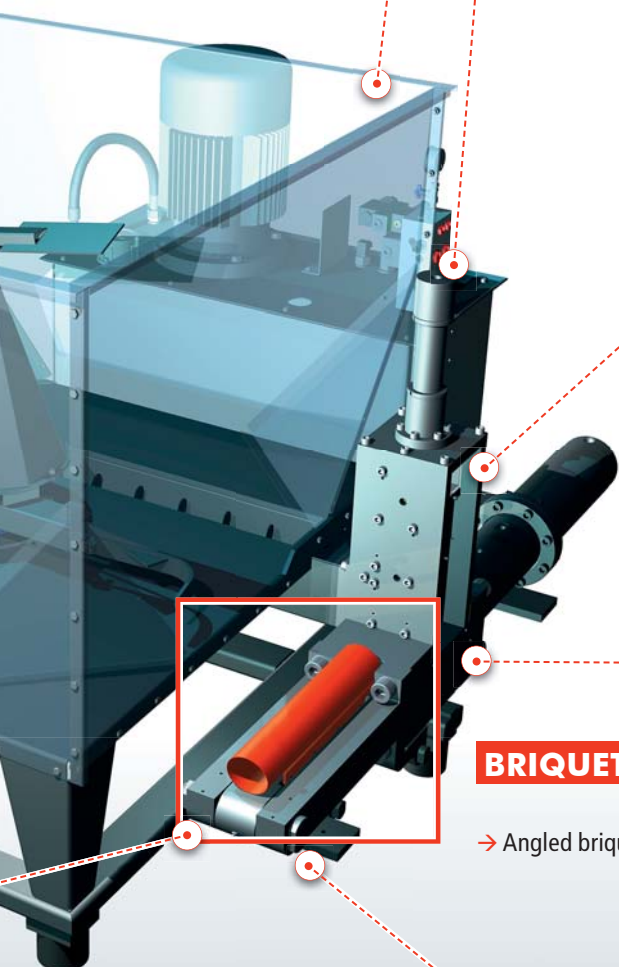
YOUR BENEFITS.

- ✓ Optimum use of waste material
- ✓ Briquettes can be sold
- ✓ Transport and storage savings
- ✓ Gain of storage space
- ✓ Minimum disposal costs
- ✓ Save handling of explosive dust



END POSITION CUSHIONED CYLINDER

→ Bolted cover // Maintenance-free operation



DUST COLLECTION PORT

→ Closed // Dustproof



PRESSING CHAMBER INSERT

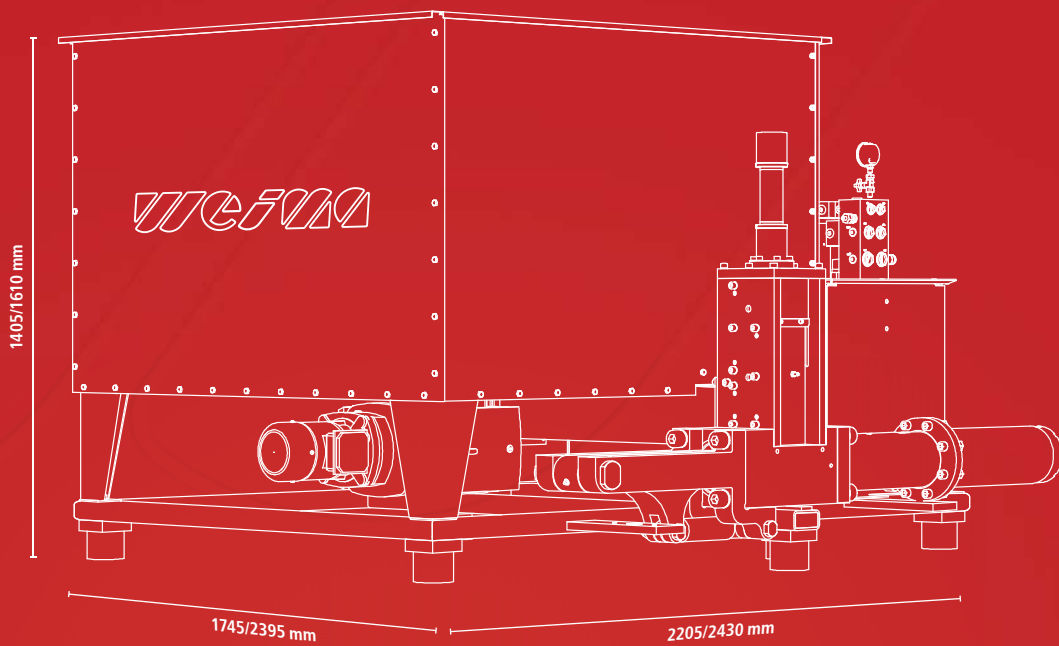
→ Prevents wear in pressing zone



BRIQUETTE SHAPE

→ Angled briquettes also possible





TECHNICAL SPECIFICATIONS		HD 500	HD 700K	HD 1500
Briquette diameter	[mm]	50	70x70	150x60
Output	[kg/h]	up to 50*	up to 120*	up to 300*
Hydraulic motor	[kW]	7.5	22	22
Hydraulic oil charge	[l]	100	600	600
Weight	[approx. kg]	800	2500	2800

* Output depends on the type of material. Data is average.
 Briquettes can be made from materials such as aluminium, paper, wood, foam and styrofoam (Precondition: material residual moisture ≤ 18%).

