

SHREDDERS

WITH SINGLE-SHAFT TECHNOLOGY

WLK 800 | WLK 1000 | WLK 1500 | WLK 2000



ROTOR AND CUTTING TECHNIQUE.

WE DEVELOP INNOVATIONS THAT SAVE YOU MONEY.

The WLK series can be equipped with different rotor and knife designs. This choice depends on your type of material in order to customize the machine to achieve optimum results.

The grinding of the driven material takes place between the rotor knives and counter knives.

YOUR ADVANTAGES

- Vast range of effective rotor and knife designs
- Tight tolerance counter knife
- Made of the best material: hardened steel or carbide-tipped knives
- Optionally available with second counter knife



FLAT ▶ for foreign-object free applications



CONCAVE ▶ for better feeding



EXTREME ▶ for flexible materials



CROSSCUT ▶ for more cuts



CARBIDE ▶ for increased wearability



TRAPEZOIDAL ▶ for extreme applications

HIGH OUTPUT AND FLEXIBILITY.

THE OPTIMIZED SERIES WLK 800 | 1000 | 1500 | 2000 SHREDS PLASTICS OF ALL KINDS.



HOPPER PIPESPACER DESIGN

- Better feeding // For bulky pieces
- // Higher output

F-ROTOR

- Controlled feeding // Precise cutting
- // With bolted or welded knife holders



SEGMENTED FLOOR GUIDANCE

- Precise guidance of ram // Ideal for very thin material // Prevents jamming
- // Load-dependent controlled feeding

OFFSET BEARINGS

- Dustproof // Sturdy design
- // Maintenance-friendly



V-ROTOR

- Universally usable // Optimum in-feed
- // Low power consumption at high output
- // Minimum wear of cutting tools

SWIVEL SCREEN BASKET

- Hydraulically-driven swivel screen basket system // Easy rotor access // Faster screen change // Secure handling
- // Single segments for easy handling

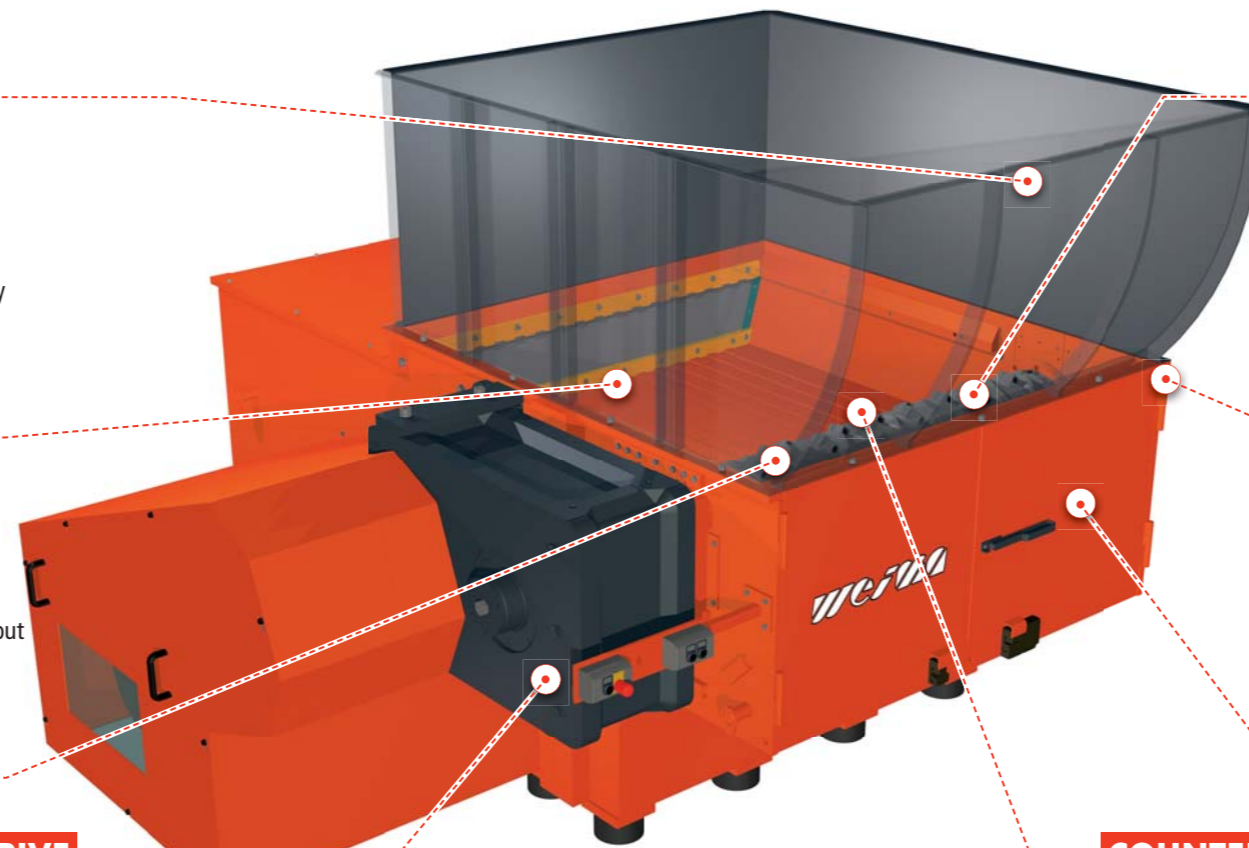


POWERFUL DRIVE WITH WEIMA GEARBOX

- In-house development for maximum durability // Electronic engine with up to 110 kW // Hydraulic clutch and v-belt

COUNTER KNIFE SYSTEM

- Counter knives are reversible // Higher knife lifetime // Minimized wear costs
- // Optimized cutting geometry for energy efficient shredding





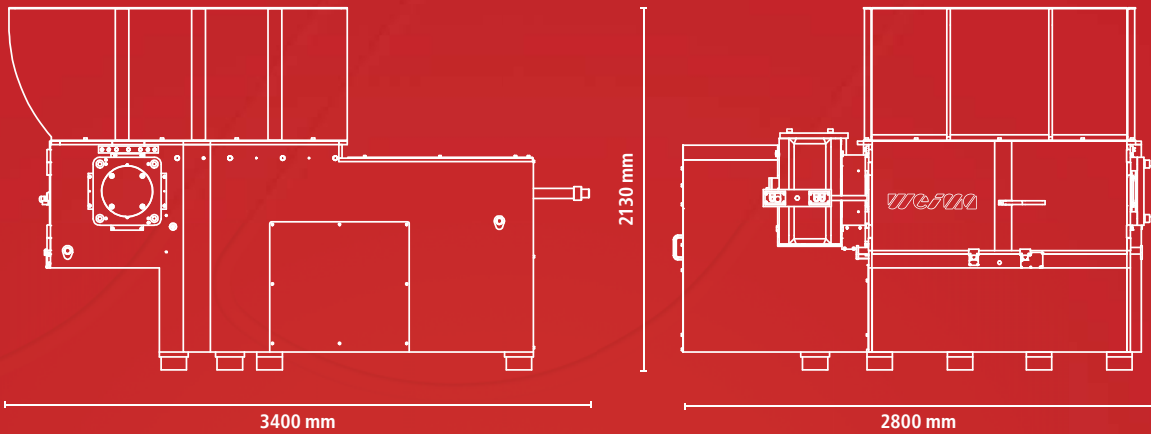
V-ROTOR ▶ The innovative V-rotor features high throughput at low energy consumption and low wearing costs.

FLEXIBLE AND POWERFUL. The four available designs of the WLK series and the different rotors and knives allow for optimal reduction of materials such as hard plastics, paper, foil, filaments, wood or textiles.



F-ROTOR ▶ The F-rotor demonstrates controlled feeding and precise cutting. The rotor can be provided with bolted or welded knife holders. Additionally, an extreme wear protection (vaudit, see picture) is available.

WLK 1500



| TECHNICAL SPECIFICATIONS | | WLK 800 | WLK 1000 | WLK 1500 | WLK 2000 |
|--------------------------------|---------------|-------------|---------------|---------------|---------------|
| Feed opening | [mm] | 800 x 1,450 | 1,000 x 1,450 | 1,500 x 1,890 | 2,000 x 1,890 |
| Max. number of blades (40×40)* | V-rotor | 42 | 78 | 123 | 170 |
| | F-rotor | 30 | 76 | 117 | 156 |
| Rotor-Ø | [mm] | 260 | 370 | 370 | 370 |
| Rotor speed | [approx. rpm] | 100 | 100 | 100 | 100 |
| Motor output | [kW] | 22/30 | 45/55 | 75/90 | 90/110 |
| Weight | [approx. kg] | 2,300 | 3,500 | 6,500 | 9,000 |

* Standard.

WEIMA offers high availability on spare parts and reliable on-site service. Please ask our competent and friendly service department staff.